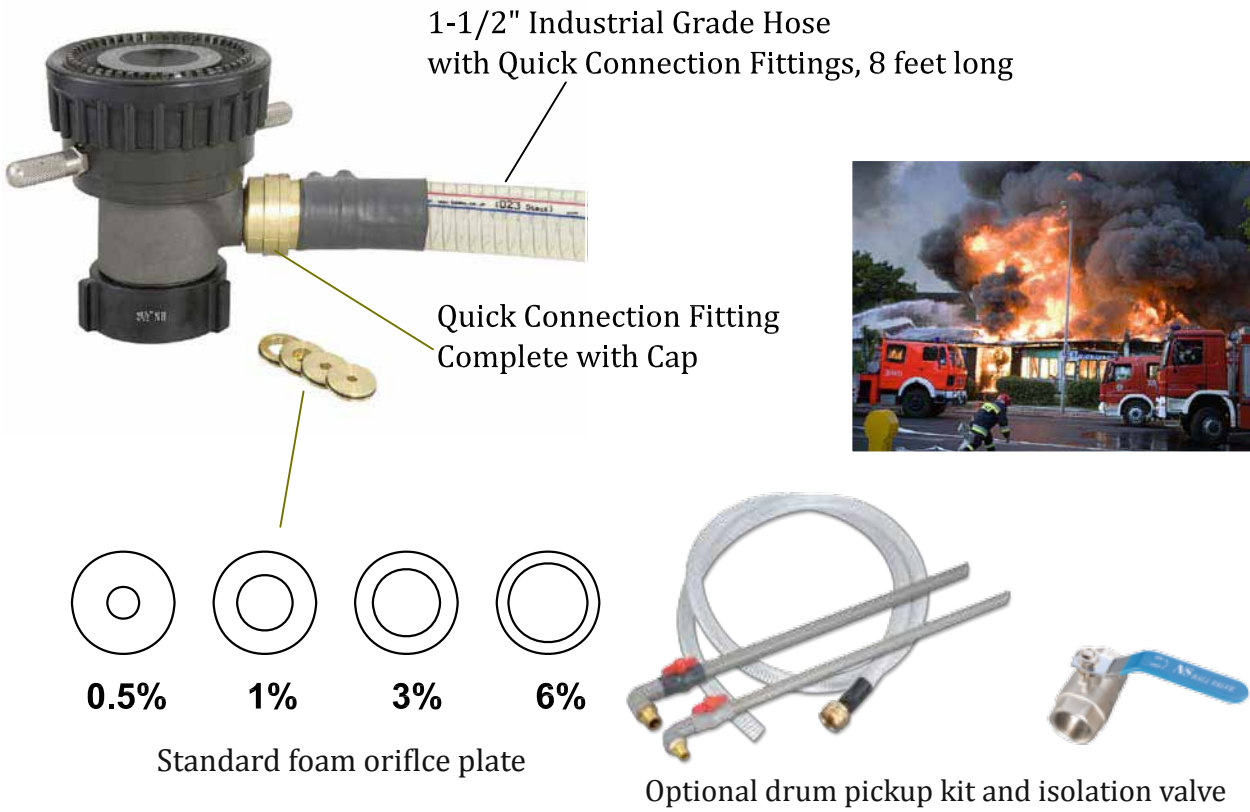




Style 888

- Durable, lightweight alloy construction
- Master stream nozzle with an inbuilt eductor
- Transforms a water monitor into a foam station without additional equipment
- Designed for use with Class A and B foam, including AFFF and fluoroprotein
- Configurable foam proportioning with pre-set options
- Combination of straight stream and variable fog patterns
- Interchangeable foam orifice inserts enable variable foam proportioning
- Metering capability of 1/2%, 1%, 3% or 6%
- 8' industrial grade pickup hose with quick connection coupling
- Optional drum pickup kit comes with 1m rigid PVC tube with shutoff capability and 8' pickup hose
- Optional isolation valve for shutoff capability



Compatible Protek Monitors								
611	612	633	649	655	736	622-1	622-2	622-3

Specification

Style	Material	Flow@100PSI (7bar)	Water Inlet	Foam Inlet	Proportioning	Length	Weight Lbs(kg)
888	Alloy	350, 500, 750 GPM (1325, 1900, 2900 LPM)	2-1/2" (65mm)	Quick Connection	1/2%, 1% 3%, 6%	5.7" (145mm)	13.2 (6)